

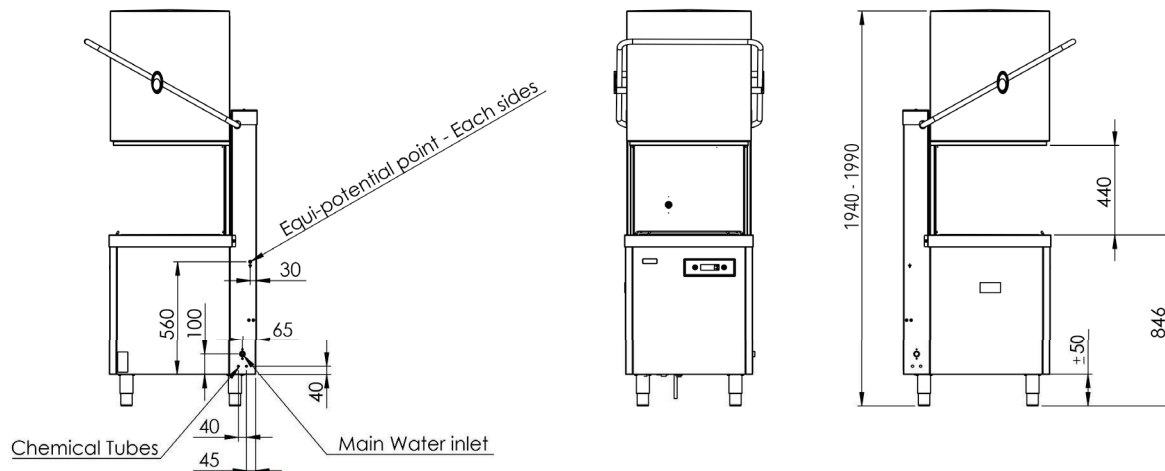
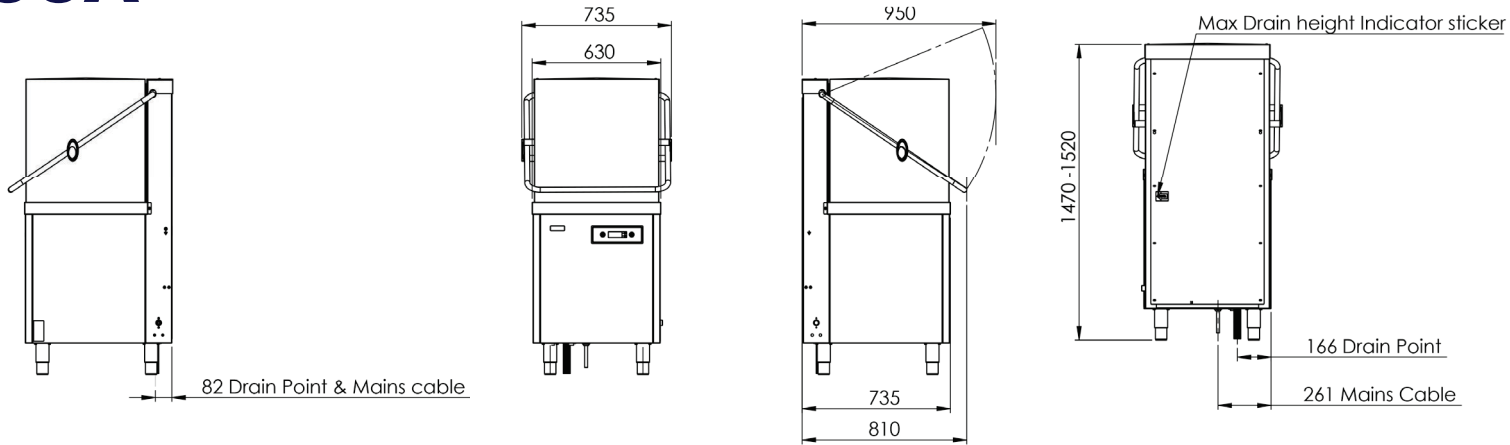
# SXHIRE



## Mechanical Specifications P500A

### Additional Info:

Wash water temperature	55°C
Dish Washer rinse temperature	80°C
Noise level	Under 70dB



### Dimensions (mm):

630 (W) x 1940 - 1990 open / 1470 - 1520 closed (H) x 720 (D)

Telephone: 08448001333 (Office) 03448001555 (Service)  
 Email: [sales@sxhire.co.uk](mailto:sales@sxhire.co.uk)  
 Address: SXHIRE, Essex House, 21 Eastways, Witham, Essex, CM8 3YQ

# Warewashing made simple:



**UK Manufactured**  
Our machines are Made in Britain (Staffordshire).



**Three Wash Programs**  
1.5, 3 and 5 minutes



**User Friendly**  
We've maximised our user experience through, two simple button controls.



**WRAS compliant**  
Type 'A' Air gap



**Liquid Crystal Display**  
A new and improved LCD display screen.

## Machine Features:

1 <b>500mm x 500mm basket</b>	2 <b>Optional Built-in chemical pumps</b>	3 <b>Built in rinse booster pump</b>	4 <b>Removable basket guides</b>
5 <b>Dual wash filter system</b>	6 <b>Temperature interlock - guarantees hot rinse</b>	7 <b>Continuous Hood Clean System</b>	8 <b>High volume Dishwasher</b>



	Everyday Use P500A-12	Intermediate Use P500A-16	Intensive Use P500A-22
<b>Dimensions</b>			
Width	630mm	630mm	630mm
Depth	720mm	720mm	720mm
Height - Hood Open	1940-1990mm	1940-1990mm	1940-1990mm
Height - Hood Closed	1470-1520mm	1470-1520mm	1470-1520mm
Maximum clear entry height	440mm	440mm	440mm
Water inlet height floor level	265-315mm	265-315mm	265-315mm
Drain height floor level	0-700mm	0-700mm	0-600mm
Drain size	Ø40mm	Ø40mm	Ø40mm
Rack size	500mm <sup>2</sup>	500mm <sup>2</sup>	500mm <sup>2</sup>
<b>Hydraulic specifications</b>			
Water supply connection	3/4"	3/4"	3/4"
Required water pressure	2.0 bar	2.0 bar	2.0 bar
Required water flow rate	11Ltrs/min 4Ltrs/min (WS)	11Ltrs/min 4Ltrs/min (WS)	11Ltrs/min 4Ltrs/min (WS)
<b>Electrical specifications</b>			
Operating voltage Standard	380-415AC/50/3N	380-415AC/50/3N	380-415AC/50/3N
Operating voltage Optional	220-240AC/50/1N	-	-
Amps required - 1 Phase Water fed @	40°C - 30A 10°C - 30A	-	-
Amps required - 3 Phase Water fed @	40°C - 12A 10°C - 12A	40°C - 16A 10°C - 16A	40°C - 22A 10°C - 22A
Rinse boiler heating 380-415AC/50/3N 220-240AC/50/1N	6.00kW 6.00kW	8.64kW -	12kW -
Total Connected Load 380-415AC/50/3N 220-240AC/50/1N	6.68kW 6.68kW	9.32kW -	12.68kW -
<b>Performance</b>			
Theoretical maximum racks/hour	40	40	40
Max no. of plates per rack	18	18	18
Cycle Times (mins)	1.5 / 3 / 5	1.5 / 3 / 5	1.5 / 3 / 5
Operating noise level	<70dB	<70dB	<70dB
Net weight	130kg	130kg	130kg
Wash pump size	0.58kW	0.58kW	0.58kW
Wash pump capacity	380Ltrs/min	380Ltrs/min	380Ltrs/min
Wash tank capacity	39Ltrs	39Ltrs	39Ltrs
Wash tank heating	4.05kW	4.05kW	4.05kW
Wash tank temperature	55°C	55°C	55°C
Rinse boiler capacity	7.5Ltrs	7.5Ltrs	12Ltrs
Rinse boiler temperature	82°C	82°C	82°C
Rinse water consumption at 2 bar	3.25Ltrs	3.25Ltrs	3.25Ltrs