



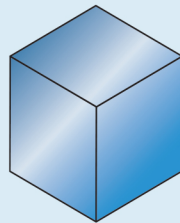
## Ice Cube Maker: IM-240NE (23) / IM-240WNE



### Product Description

The IM-240NE (air cooled) and IM-240WNE (water cooled) are the largest self contained cube ice machines. These models maintain low levels of water- and energy consumption.

- A closed water circuit offers the ultimate contamination protection, by reducing the number of points at which impurities can enter the ice making process.
- Hoshizaki ice makers are micro computer controlled, controlling the ice making process to perform at its best under varying circumstances, without having to make physical adjustments.
- A stainless steel exterior with integrated door handles provides a hygienic and high quality finish.
- Foam injected polyurethane for insulation (HFC free), helps preserve the quality and consistency of the ice produced, reducing the number of production cycles.
- An easily cleanable air filter allows end users to carry out a routine cleaning schedule, extending product life expectancy and reducing the frequency and costs of maintenance call-outs.
- Removable door gaskets help prevent any heat and contamination from entering the bin as well as making your Hoshizaki product easy to clean and maintain.



Ice Type: Cube

IM-240NE / IM-240WNE  
Ice Size: Standard (L) 28 x 28 x 32mm

IM-240NE-23  
Ice Size: Medium 28 x 28 x 23mm

### Available Models

### Ice Production

Model	Air Cooled	Water Cooled	Ice Production per 24h (Approx.)		Temperature	Ice Production per Cycle (Approx.)	Water Consumption per 24h (Approx.)	Storage Capacity (Approx.)
			Dimple 5mm	Dimple 15mm				
IM-240NE	✓		230kg 210kg 195kg	240kg 230kg 210kg	AT.10°C, WT.10°C AT.21°C, WT.15°C AT.32°C, WT.21°C	3.2kg / 140 pcs	0,76m <sup>3</sup> 0,36m <sup>3</sup> 0,34m <sup>3</sup>	110kg
IM-240NE-23	✓		230kg 210kg 195kg	240kg 230kg 210kg	AT.10°C, WT.10°C AT.21°C, WT.15°C AT.32°C, WT.21°C	3.2kg / 140 pcs	0,76m <sup>3</sup> 0,36m <sup>3</sup> 0,34m <sup>3</sup>	110kg
IM-240WN2E		✓		235kg 215kg 200kg	AT.10°C, WT.10°C AT.21°C, WT.15°C AT.32°C, WT.21°C	3.2kg / 140 pcs	0,22 m <sup>3</sup> 0,15 m <sup>3</sup> 0,13 m <sup>3</sup>	110kg

Telephone: **08448001333 (Office) 03448001555 (Service)**

Email: **sales@sxhire.co.uk**

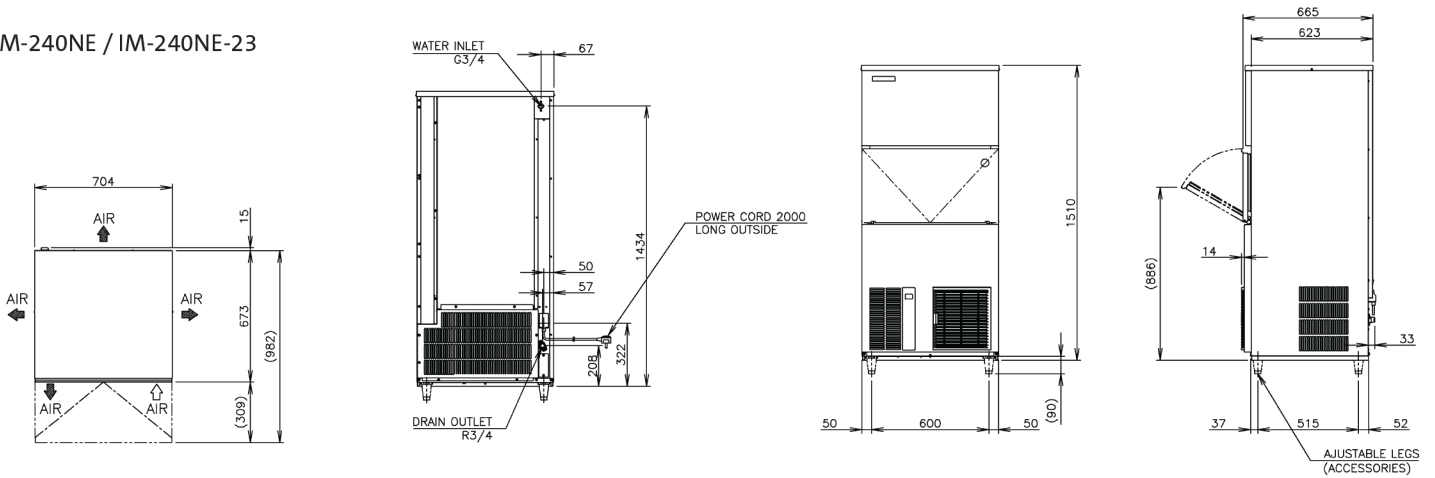
Address: **SXHIRE, Essex House, 21 Eastways, Witham, Essex, CM8 3YQ**

# SXHIRE

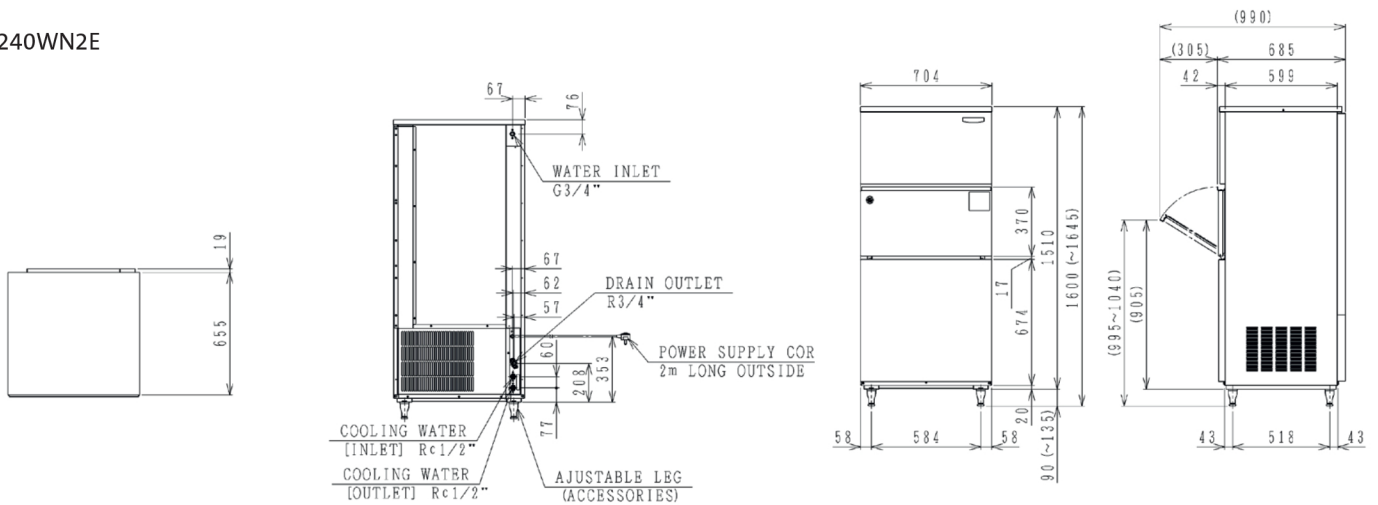


## Ice Cube Maker: IM-240NE (23) / IM-240WNE

IM-240NE / IM-240NE-23



IM-240WN2E



Full CAD specification drawings available on website

### Specifications

Specification	IM-240NE (23)	IM-240WNE	Operation Requirements
Dimensions W x D x H (mm) (Legs add 70-110mm)	704 x 665 x 1510	704 x 665 x 1510	Ambient Temperature: 1 - 40°C
AC Supply Voltage	1 Phase 220 - 240V 50Hz	1 Phase 220 - 240V 50Hz	Water Supply Temperature: 5 - 35°C
Electric Consumption (AT.32°C, WT.21°C)	1320W	1300W	Water Supply Pressure: 0.07 - 0.78MPa (0.7 - 7.8 bar)
Insulation	Polyurethane Foam	Polyurethane Foam	Voltage Range: Rated Voltage ± 6%
Heat Rejection	2870W	-	<b>Accessories</b>
Refrigerant	R404A	R404A	Scoop, Legs, Installation Kit
Weight Gross / Net (kg)	122 / 111	131 / 116	

Telephone: 08448001333 (Office) 03448001555 (Service)

Email: sales@sxhire.co.uk

Address: SXHIRE, Essex House, 21 Eastways, Witham, Essex, CM8 3YQ